

LD52



Very Low Depth In Ground Uplighter

Data sheet - Page 1

LD52 is a very powerful, low depth, triple LED uplight. It has been designed specifically for applications where there is little recess depth. Supplied as standard with a tough walk over stainless steel bezel and toughened glass. It can also be used as an external downlighter.

Key Features

- High efficiency optics guarantee excellent beam spread and shape, with 3 beam angles available
- Fixing is by 3 spring clips or by the /484S first fix sleeve and O-rings; this provides a watertight seal ideal for external applications
- Range of bezel finish options
- LD52 can be driven up to a current of 500mA (5.1W) at an ambient temperature of 45°C
- Can be used as an external downlighter.
- Available with Switch, 0-10V, DMX, Dali or Mains dimmable drivers

Specification

Applications



Beam Angles

18°, 25°, 36°

LED type

3 x Cree XPG2

Colour temperature

2700K** / 3000K

5000K

Drive Current (mA)

350

500

350

500

LED power* (W)

3.6

5.1

3.6

5.1

CRI (typical)

93

93

80

80

Forward voltage (V)₁₀₀

9.0V

9.6V

9.0V

9.6V

Delivered lumens** (L₁₀₀)

248

338

301

433

Lumens per circuit watt

73

68

89

87

LED lifetime (to 70% lumen maintenance)

50,000hrs at a max ambient temperature of 45°C

Materials

Anodised aluminium body, 316 Stainless steel bezel

Wiring

Comes pre-wired with 2 core 100mm lead, can be specified with up to 10m at extra cost

IP rating

IP67

*LED wattage includes losses associated with using an 85% efficient driver

** 2700K lumen output is 12% lower than the 3000K figure listed

4000K lumen output is 14% higher than the 3000K figure listed (80 CRI)



LD52

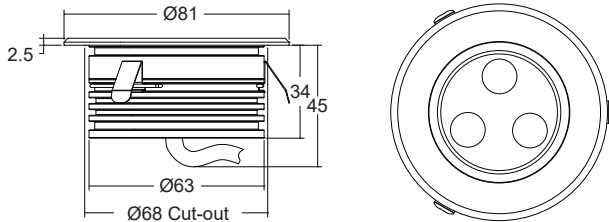


Very Low Depth In Ground Uplighter

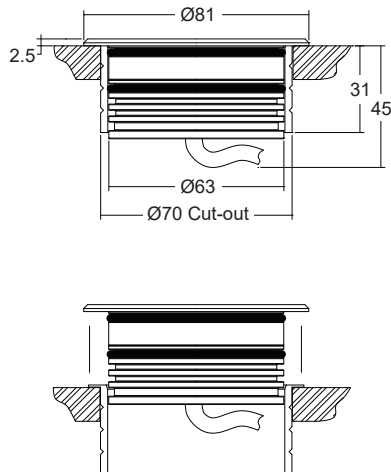
Data sheet - Page 2

Dimensions and fixing options

/SC - Spring clips



/484S - First fix sleeve with O-rings



Photometrics

Photometric files are included in the design pack which can be downloaded from the LD52 product page on the website.

Order Codes and Options

Product code	LED colour	Lens angle	Finish	Fixing option
LD52 - 350 - 500	<input type="text"/>	<input type="text"/>	<input type="text"/>	<input type="text"/>

Example: LD52-500 / LW30 / MB / IP54 / Powder coated white

Product codes with output options

3.6W LED at 350mA	LD52-350
5.1W LED at 500mA	LD52-500

LED colour options

LED colour options	Suffix
Extra Warm White (2700K)	/LW27
Warm white (3000K)	/LW30
White (4000K) - on request	/LW40
Cool White (5000K)	/LW50
Blue	/LB
Green	/LG
Red	/LR
Amber	/LA

Beam / lens angle options

18° narrow spot	/NB
25° medium	/MB
36° wide	/WB

Bezel finish options

Stainless steel 316
 Paint finish white / black / RAL
 Polished and passivated stainless steel (for marine environments)
 Flamed solid bronze (antique finish)

Fixing options

Spring clips	/SC
First fix sleeve and O-rings	/484S

Use with 350mA and 500mA constant current LED drivers

We have a wide range of dimmable LED drivers, 0-10V, DMX, DALI and Mains dimmable. Please see the downloads section on our website:
 To run 1 - 4 LD52-350 in series use a TXDEL350D (0-10V dimmable)
 To run 1 - 4 LD52-500 in series use a TXDEL500D (0-10V dimmable)